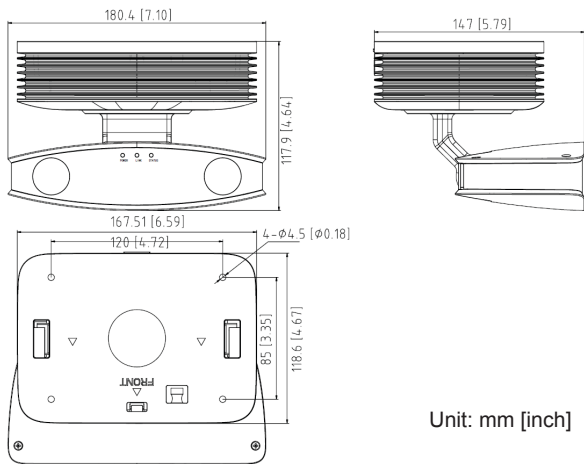


VMGB-102

2MP 3D Face Recognition Metadata Camera with D/N, Adaptive IR, WDR, Stereoscopic Lens



DIMENSION DIAGRAM



Unit: mm [inch]

ACCESSORY OPTIONS

Power Supply

PPBX-0017	Power Adapter AC 100-240V (36V Output) for VMGB-102
-----------	-----------------------------------------------------

PRODUCT SPECIFICATION

• Device

Device Type	Metadata Camera
Maximum Resolution	2MP
Product Application	Face Recognition
Application Environment	Indoor
Image Sensor	Progressive Scan CMOS
Sensor Size	1/2.8"
Day / Night	Yes
Mechanical IR Cut Filter	Yes
IR LED	Adaptive IR
IR Working Distance	10 m
Electronic Shutter	1/25" ~ 1/100,000" (manual mode and auto mode)

• Lens

Number of Lenses	2 Lenses
Focal Length	Fixed Focal, f4.0 mm
Aperture	F1.6
Focus	Fixed Focus
Horizontal Viewing Angle	85.7°

• Video

Compression	H.265, H.264 (Baseline, Main, High Profile)
Maximum Frame Rate vs. Resolution	30 fps 1920 x 1080 30 fps 1280 x 720
Multi-Streaming	Multiple Streams
Bit Rate	32 Kbps ~ 16 Mbps (per stream)
Image Enhancement	Backlight Compensation, White Balance, Brightness, Contrast, Saturation, Sharpness, Automatic Gain Control, Gyro-based Image Stabilizer, Defogging
Digital Noise Reduction	3D DNR
Privacy Mask	Yes
On-Screen Graphics	Yes
Built-in Analytics	Face Recognition
Image Orientation	Mirror

• Audio

Audio Type	2-way, Line-in, Line-out
Compression	G.711, G.722.1, G.726, MP2L2, PCM

• Network

Ethernet Port	1, Ethernet (10/100/1000 Base-T), RJ-45 connector
---------------	---------------------------------------------------

• Video Analytics

Analysis Source Type	Video
Metadata Accuracy	Good

• Interface

Serial Port	1 x RS-485
Digital Input / Output	1 / 1
Local Storage	MicroSD, MicroSDHC, MicroSDXC memory card slot (card not included), up to 128 GB

• Installation

Distance to Target (People)	1.9 m (6.23 ft)
Installation Recommendation	Installation Height / Width of Scene 1.8 m (5.91 ft) / 2.5 m (8.20 ft)

• General

Power Source	DC 36V (Power adapter sold separately)
Power Consumption	27 W
Dimensions (W x H x D)	180.4 x 147 x 117.9 mm (7.10" x 5.79" x 4.64")
Weight	1500 g (3.31 lb)
Operating Temperature	-10°C ~ 40°C (-14°F ~ 104°F)